



PROFESSIONAL MASSAGE STONE HEATER

KDA-STAPP-O1

Stone massage therapy is a wonderful procedure that can bring many therapeutic benefits when properly administered. As with any therapy, proper care must be practiced to ensure the safety of the individual receiving the therapy. Before using the stone heater, we strongly recommend instruction on stone massage therapy from a qualified, professional therapist.



IMPORTANT SAFEGUARDS

1. READ ALL INSTRUCTIONS BEFORE USING THE APPLIANCE
2. Do not touch hot surfaces
3. To protect against electrical hazard, do not immerse cord, plug or base unit in water or other liquid.
4. Turn your stone heater off before removing plug from wall outlet.
5. Close supervision is necessary when the appliance is used near children.
6. Unplug from the outlet when not in use and before cleaning. Allow to cool before putting on or taking off parts.
7. Do not operate any appliance with a damaged cord or plug until after the appliance has been returned to the company for examination and repair or electrical/mechanical adjustments.
8. The use of accessories or attachments not recommended by the manufacturer may cause fire, electrical shock, or injury.
9. Not for outdoor use.
10. Do not let cord hang over the edge of table or counter, or touch hot surfaces.
11. Do not place on or near a hot gas or electric burner or in a heated oven.
12. Extreme caution must be used when moving the appliance containing hot liquids.
13. Do not use appliance for anything other than intended use as described in this manual.
14. Do not fill the water reservoir to more than 1 inch below the top rim. Place appliance on a level surface.
15. Always place the stones in the water reservoir first, then add water.
16. Do not use if you have rashes, burns, cuts, other skin irritations, or if you have sensitive or damaged skin.
17. Never place an appliance in a tub or sink to fill while it is plugged into a wall outlet. This is an ELECTROCUTION HAZARD!
18. Always test the temperature of each stone by touching it with your finger first and holding it in your hand before placing the heated stone on another person.
19. Use heat resistant gloves or a slotted wooden spoon to lift heated stones from the stone heater to avoid burns or scalding.
20. Never add boiling or steaming water to avoid scalding and/or burns.

CAUTION: A short power supply cord is provided to reduce risk resulting from becoming entangled in or tripping over a long cord.

PRECAUTIONS

1. Massage Stone Heater should not be used if the following conditions are present: Tuberculosis, tumors, open wounds, hemorrhages, bruises, broken skin, thrombosis or phlebitis, varicose veins or undetermined joint pain in the calf.
2. People who are pregnant, have diabetes or other illness should have physician's approval prior to receiving therapy.
3. Contact your physician if you have any questions concerning the therapeutic affects of massage stones heated with this appliance.
4. Discontinue use of the stone heater if you experience any discomfort from the therapy and contact your physician.
5. Do not use this appliance when you are feeling drowsy or are going to fall asleep.
6. The stone heater is not a toy. USE EXTRENE CAUTION when using this appliance and PLEASE keep away from children.

MAINTENANCE AND CLEANING

1. Clean unit after each therapy session.
2. Turn Temperature Control to minimum and unplug Stone Heater from wall outlet before cleaning.
3. Allow appliance to room temperature before cleaning or removing parts.
4. Carefully remove all stones first, then remove the water.
5. Clean Water Reservoir and Cover with a solution of warm soapy water, then rinse with clean water and dry with a towel.
6. Wipe Main Heating Unit with a damp cloth. Special care must be taken when cleaning the Main Heating Unit. NEVER immerse Main Heating Unit in water or place in a sink to rinse.
7. Rinse the stones in warm water with a small amount of mild detergent added. Rinse stones with clean warm water and allow to dry before storing.

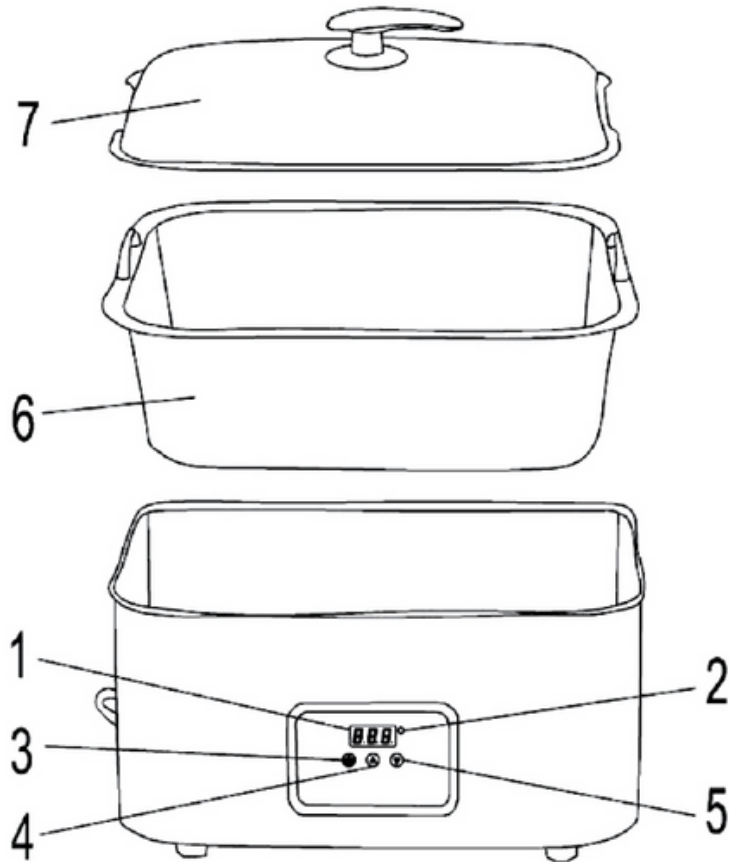
DIRECTION FOR USE

1. Wash off massage stones before each use.
2. Place a hand towel or a grid rack (optional purchase) at the bottom of the water reservoir pan to easily extract hot or warm massage stones, ensuring that the stones do not make direct contact with bottom of the pan.
3. Before plugging appliance into an outlet, be sure to add sufficient water into the water reservoir, enough to cover stones completely. However, do not overfill the reservoir pan with water and maintain water level at least 1" below from the top of the rim. Set temperature to desired setting and place cover on top.
4. Plug power cord into a standard 120V grounded outlet.
5. Press the plug (+) or minus (-) keys to select desired temperature. It is recommended that for hot massage therapy, the temperature setting should be 120°F-130°F.
6. The Heat Indicator Light cycles on (red) and off (green) with the Heater as temperature fluctuates. The unit is heating while light is on red and will turn green when desired temperature is reached.
7. Carefully remove the first stone from the Heater's reservoir pan. Test the temperature of the stone by touching it with your finger, and then hold it in your hand. The temperature should be warm to be touch yet not uncomfortable.
8. When the therapy session is finished, press the On/Off button to turn unit off. For both safety and energy conservation, always unplug the Heater from its power source when not in use.
9. Never drop stones into the reservoir as it may damage the Heater. Always use care when removing or replacing stones.
10. Never apply hot stones to areas of the body that are already inflamed.

TROUBLESHOOT

1. Setting Temperature Display Range: 113°F-212°F.
2. The unit is equipped with dry overheat prevention shutoff function. If "E2" appears on temperature display, please disconnect the power plug, add water and start operation again.
3. Do not use if "E1" is displayed. Instead, remove from power source and call for service immediately.

KEY FEATURES



1. Temperature Read Display

- This digital read indicates ambient temperature when the unit is initially turned on.
- It also indicates the desired set temperature when Plus (+) or Minus (-) key is pressed.
- It also notify user of any malfunction with an error code.

2. Heat Indicator Light

- The unit is in heating mode when “red” indicator is turned on.
- The unit is in standby mode when “green” indicator is turned on upon desired set temperature is reached.

3. ON/OFF Key

Turn Stone Heater on or off.

4. Plus (+) Key

Increase temperature setting by pressing the plus key.

5. Minus (-) Key

Decrease temperature setting by pressing the minus key.

6. Removable Water Reservoir Pan

Easy to clean and convenient to use, the removable water reservoir can be filled with water either separately or while in the Stone Heater.

7. Cover

Using the cover at all times will maintain even temperature within the heater.

ONE-YEAR LIMITED PARTS WARRANTY

This appliance is warranted for one year from the date of purchase against defects in materials and workmanship. This warranty does not cover transportation damage, misuse, accidents or similar incidents. This warranty gives you specific legal rights and you may have other rights, which vary from state to state.

Your new Massage Stone Heater comes equipped with numerous safety features. Any attempt to interfere with the operation of these safety features makes this warranty null and void. In the event we receive a Massage Stone Heater for service that has been tampered with, we reserve the right to restore it to its original state and charge for the repair.

For service of warranty, follow instructions set forth in warranty. When ordering new parts, make sure that you always mention the model number of the product, which is found on the back of the unit.